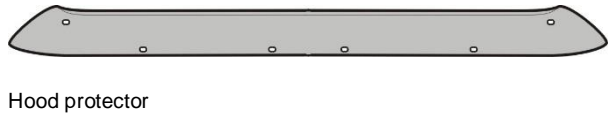


## Installation Instructions

Acura TSX 09-13

### PARTS LIST



1 . Adhesive promoter



1 . Surface cleaner



2 . Adhesive backed pedestals



4 . Anti-abrasion pads



4 . Bumpons



6 . Square expansion plugs



2 . Metal brackets- **Type 2**



2 . Round expansion plugs



2 . #6 x 1/2+pan head screws



6 . #8 x 7/16+truss head screws black



2 . Metal brackets- **Type 1**



2 . Rubber bonded washers

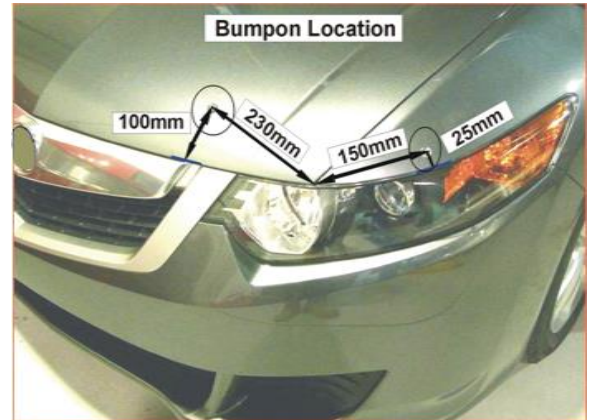


### **TOOLS AND SUPPLIES REQUIRED**

Medium Phillips Screwdriver (#2)  
Tape Measure  
Masking Tape

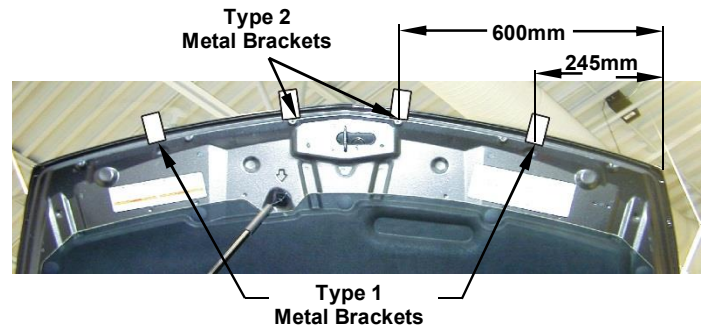
### INSTALLATION

1. Be sure that the hood is clean and dry inside and out.
2. Install the four (4) bumpons as shown. **Attention: the bumpons must be installed on the hood, not on the protector!!!** If the bumpons are installed on the protector, they may wear through the paint.



3. Open the hood. Peel and fold anti-abrasion film pads in half over the edge of the hood in the four (4) locations shown in the illustration below.

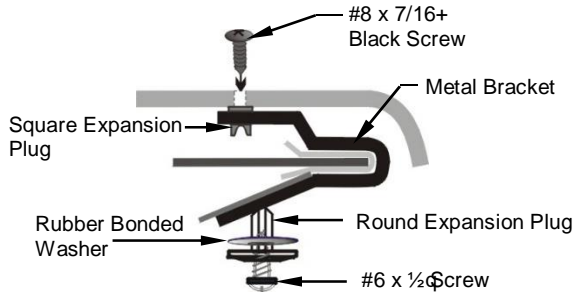
**Looking at underside of the hood**  
**Anti-abrasion pads and metal brackets location**  
*\* Measurements are parallel to Leading Edge of the Hood*



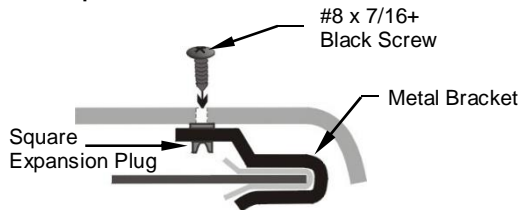
4. Install square plastic expansion plugs into the top of each of the four (4) metal brackets, and two (2) adhesive backed pedestals.
5. Install the two (2) **Type 2** metal brackets over the hood edge, aligning the hole in the bottom leg of the bracket with the round hole in the hood. *See Illustration.*
6. Install two (2) rubber bonded washers onto the round expansion plugs.



- Install round expansion plugs through the two (2) metal brackets (Type 2) into the holes in the hood and tighten the #6 x 1/2" screw into the expansion plugs. **Note: The screw should not be over-tightened. Its function is to expand the legs of the expansion plug into the hole. Also note the #8 x 7/16" black screw and hood guard are not put in place until step 15.**



- Install the remaining two (2) metal brackets (Type 1) over the hood edge, at 245mm location. See *Illustration in step 3*. **Note: the #8 x 7/16" black screw and hood guard are not put in place until step 15.**



- Dry fit the two (2) adhesive backed pedestals using masking tape to hold them in the position. See *Illustration*.



- Place the hood protector on top of the metal brackets and align the holes in the protector with Type 2 metal brackets.
- Confirm alignment and make any required adjustments of Type 1 metal brackets and adhesive backed pedestals.
- Remove protector, and using masking tape mark the perimeters of the adhesive backed pedestals, and wipe area with surface cleaning pad. Dry with a soft cloth or paper towel. Apply adhesive promoter to the mounting area. *Follow the instructions on the promoter for use. Allow the adhesive promoter to dry.*

- Remove the protective backing from the pedestals and place them accurately in the areas outlined with masking tape. After placing, remove masking tape and wet out+tape to the hood surface by applying pressure with your thumb around the surface of the pedestals.
- Clean any residue from adhesive promoter with alcohol wiping pad.
- Position the hood protector over the metal brackets and adhesive backed pedestals. Tighten the #8 x 7/16+ Truss head screw through the hood protector and into the square expansion plugs. **Do not over-tighten the screws.**
- On some vehicles it may be necessary to adjust the hood bumpers and/or latch for proper clearance.  
**Note: Do not pull on the protector when opening or closing the hood**

### Care Instructions

Clean the protector with a mild soap and water solution or plastic cleaner only. Do not use chemicals or solvents.

Periodically check to make sure the bumpers are in place and the protector is secure.

**Avoid using automatic car washes.** Do not pull on the protector when opening or closing the hood.

Thank you for purchasing a **FORM FIT** hood protector. Retain this sheet for care instructions and hardware kit information.



Rev0.140528